

Dell™ PowerVault™
600 Systems

Getting Started With Your System

Guide de mise en route

Primeiros passos com o sistema

Procedimientos iniciales con el sistema

Model MVT01



Dell™ PowerVault™ 600
Systems

Getting Started
With Your System

Model MVT01



Notes, Notices, and Cautions



NOTE: A NOTE indicates important information that helps you make better use of your computer.



NOTICE: A NOTICE indicates either potential damage to hardware or loss of data and tells you how to avoid the problem.



CAUTION: A CAUTION indicates a potential for property damage, personal injury, or death.

Information in this document is subject to change without notice.

© 2007 Dell Inc. All rights reserved.

Reproduction in any manner whatsoever without the written permission of Dell Inc. is strictly forbidden.

Trademarks used in this text: *Dell*, the *DELL* logo, and *PowerVault*, are trademarks of Dell Inc.; *Intel Core* and *Core 2 Duo* are trademarks and *Intel*, *Pentium* and *Xeon* are registered trademarks of Intel Corporation in the U.S. and other countries; *Microsoft*, *Windows*, and *Windows Storage Server* are either trademarks or registered trademarks of Microsoft Corporation in the United States and/or other countries.

Other trademarks and trade names may be used in this document to refer to either the entities claiming the marks and names or their products. Dell Inc. disclaims any proprietary interest in trademarks and trade names other than its own.

Model MVT01

September 2007

P/N CX193

Rev. A00

Contents

| | |
|---|-----------|
| System Features | 5 |
| Supported Operating Systems | 7 |
| Other Information You May Need | 7 |
| Obtaining Technical Assistance | 7 |
| Installation and Configuration | 8 |
| Unpacking the System | 8 |
| Installing the Rails and System in a Rack | 9 |
| Connecting the Keyboard, Mouse, and Monitor | 10 |
| Connecting the Power | 10 |
| Installing the Power Cord Retention Bracket | 11 |
| Turning on the System | 11 |
| Installing the Bezel | 12 |
| Complete the Operating System Setup | 12 |
| Technical Specifications | 12 |
| Index | 17 |

System Features

The major hardware and software features of your system include:

- One or two Dual-Core Intel® Xeon® Processors 5000 Sequence.
- Support for symmetric multiprocessing (SMP), which is available on systems with two Intel Xeon processors. SMP greatly improves overall system performance by dividing processor operations between independent processors. To take advantage of this feature, you must use an operating system that supports multiprocessing.



NOTE: If you decide to upgrade your system by installing a second processor, you must order the processor upgrade kits from your supplier. Not all versions of the Intel Xeon processor will work properly as additional processors. The upgrade kit contains the correct version of the processor, heat sink, and fan as well as the instructions for performing the upgrade.

- A minimum of 512 MB of 533 or 667 MHz (when available), Fully Buffered DIMMs (FBD), upgradable to a maximum of 48 GB by installing combinations of 256-MB, 512-MB, 1-GB, 2-GB, or 4-GB memory modules in the twelve memory module sockets on the system board.

The system also features redundant memory, which provides memory sparing or memory mirroring. Either feature is available if eight or twelve identical memory modules are installed.

- Support for up to ten 3.5-inch, internal hot-pluggable Serial-Attached SCSI (SAS) or SATA hard drives (eight 3.5-inch internal hard drives with hot-pluggable backplane board, and support for two additional hot-pluggable 3.5-inch drives in the peripheral bay using the optional 1x2 flexbay backplane board).
- Peripheral bay provides support for an optional optical drive and an optional half-height tape backup unit (TBU). A full-height TBU is supported with the 1x2 flexbay bracket removed.
- An optional single, 1.44-MB, 3.5-inch diskette drive.
- An optional CD, DVD, or combination CD-RW/DVD drive.



NOTE: DVD devices are data only.

- An intrusion switch that signals the appropriate systems management software if the top cover is opened.
- Up to two hot-pluggable, 930-W power supplies in a 1 + 1 redundant configuration.
- Six hot-pluggable system cooling fans.

The system board includes the following features:

- Six PCI slots located in an expansion-card cage. Slots 1 and 2 are 3.3-V, 64-bit, 133-MHz PCI-X slots; slot 3 is a 3.3-V, PCIe x8 lane; slots 4 through 6 are 3.3-V, PCIe x4 lanes. Expansion-card slots accommodate full-height, full-length expansion cards. PCIe slots accommodate up to x8 expansion cards.
- Dedicated PCI slot for an integrated SAS host bus adapter or an optional integrated RAID controller card with 256 MB of cache memory and a RAID battery.



NOTE: System boot is not supported from an external device attached to a SAS or SCSI adapter, including SAS 5/E, PERC 5/E, or PERC 4e/DC. Contact your technical support provider for the latest support information about booting from external devices.

- Two integrated Gigabit Ethernet NICs, capable of supporting 10-Mbps, 100-Mbps, and 1000-Mbps data rates.
- Six USB 2.0-compliant connectors (two on the front and four on the back) capable of supporting a diskette drive, a CD-ROM or DVD-ROM drive, a keyboard, a mouse, or a USB flash drive.
- Optional remote access controller (RAC) for remote systems management.
- An integrated VGA-compatible video subsystem with an ATI ES1000, 33-MHz PCI video controller. This video subsystem contains 16 MB of DDR SDRAM video memory (nonupgradable). Maximum resolution is 1600 x 1200 with 64 K colors; true-color graphics are supported in the following resolutions: 640 x 480, 800 x 600, 1024 x 768, 1152 x 864, and 1280 x 1024. When the optional RAC is installed, the video resolution is 1024 X 768.
- Systems management circuitry that monitors operation of the system fans as well as critical system voltages and temperatures. The systems management circuitry works in conjunction with the systems management software.
- Standard baseboard management controller with serial access.
- Back-panel connectors include one serial, one video, four USB, and two NIC connectors.


- Front-panel connectors include a video and two USB connectors.
- Front-panel 1x5 LCD for system ID and error messaging.
- System ID button on the front and back panels.

For more information about specific features, see "Technical Specifications" on page 12.

Supported Operating Systems

- Microsoft® Windows Storage Server™ 2003 R2 Express Edition (x64)
- Microsoft Windows Storage Server 2003 R2 Workgroup Edition (x64)

Other Information You May Need

 **CAUTION: The *Product Information Guide* provides important safety and regulatory information. Warranty information may be included within this document or as a separate document.**

- The *Rack Installation Instructions* or *Rack Installation Guide* included with your rack solution describes how to install your system into a rack.
- The *Hardware Owner's Manual* provides information about system features and describes how to troubleshoot the system and install or replace system components. The *Hardware Owner's Manual* is available on the CDs that came with your system or from your technical provider.
- CDs included with your system provide documentation and tools for configuring and managing your system.
- Release notes or readme files may be included to provide last-minute updates to the system or documentation or advanced technical reference material intended for experienced users or technicians.

Obtaining Technical Assistance

If you do not understand a procedure in this guide or if the system does not perform as expected, see your *Hardware Owner's Manual*.

Installation and Configuration

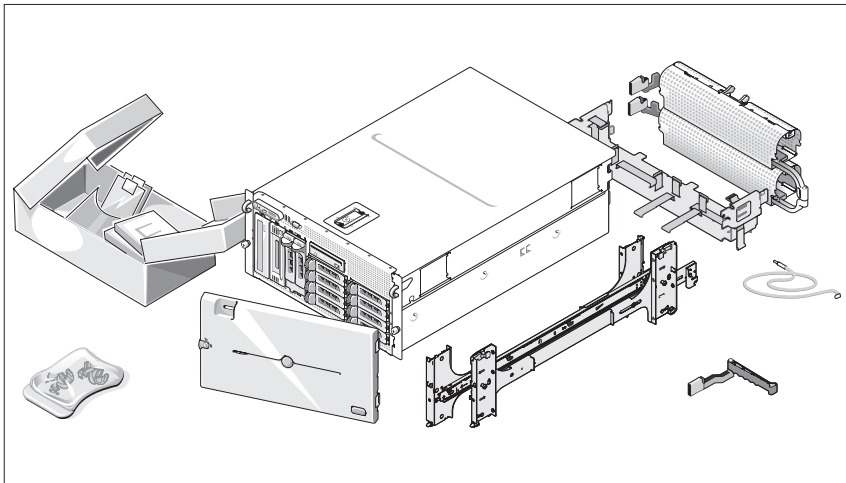
⚠ CAUTION: Before performing the following procedure, read and follow the safety instructions and important regulatory information in your *Product Information Guide*.

This section describes the steps to set up your system for the first time. The illustrations that follow show a rack-mounted system, but the installation procedure applies in large part to a stand-alone tower system. In place of the rack installation in step 2, refer to the documentation included with your system on installing the stabilizer feet on your system.

⚠ CAUTION: Installing the feet on a stand-alone tower system is necessary to provide a stable foundation for the system. Failure to install the feet poses the risk of having the system tip over, possibly causing bodily injury or damage to the system.

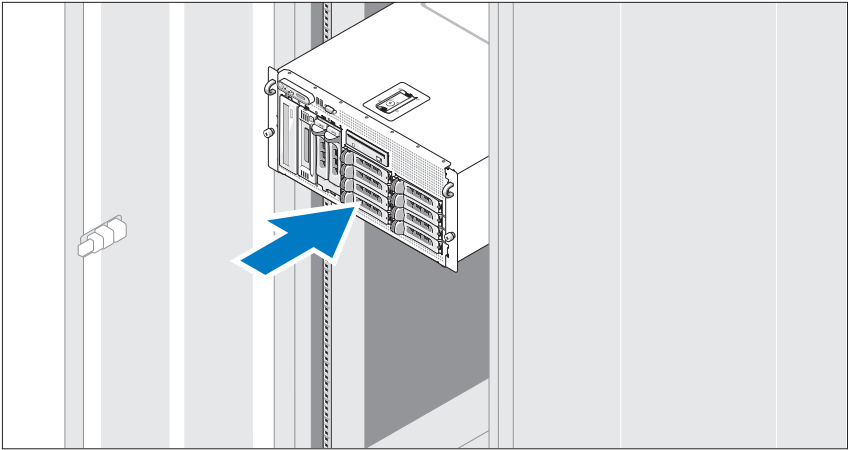
⚠ CAUTION: Whenever you need to lift the system, get others to assist you. To avoid injury, do not attempt to lift the system by yourself.

Unpacking the System



- 1** Unpack your system and identify each item.
Keep all shipping materials in case you need them later.

Installing the Rails and System in a Rack

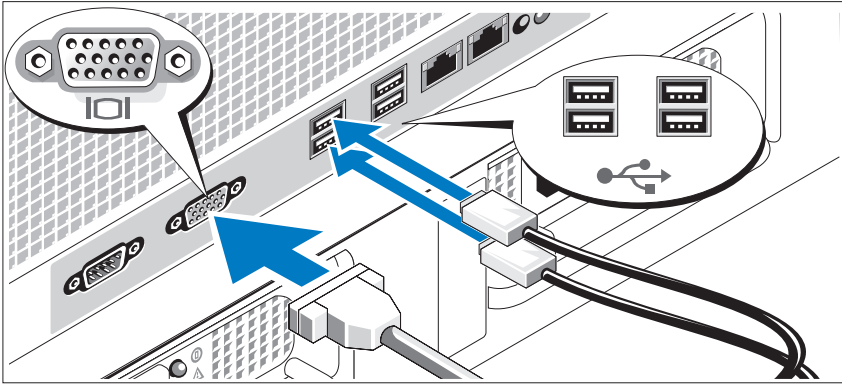


- 2 Once you have read the "Safety Instructions" located in the rack installation documentation for your system, install the rails and the system in the rack.

See your rack installation documentation for instructions on installing your system in a rack.

For a tower system, see the documentation included with your system on installing the system stabilizer feet.

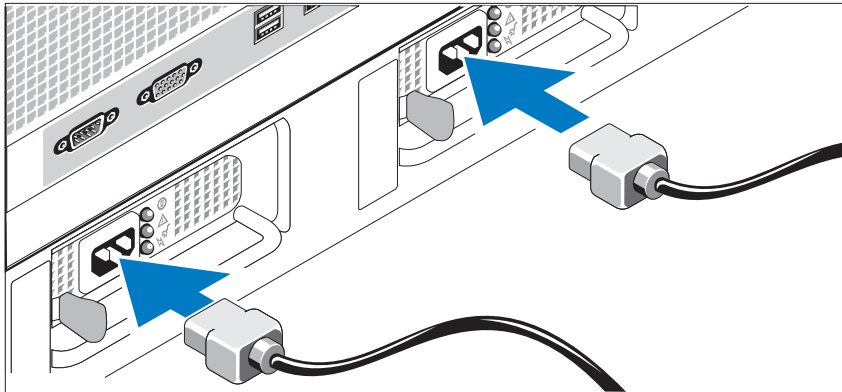
Connecting the Keyboard, Mouse, and Monitor



- 3 Connect the keyboard, mouse, and monitor (optional).

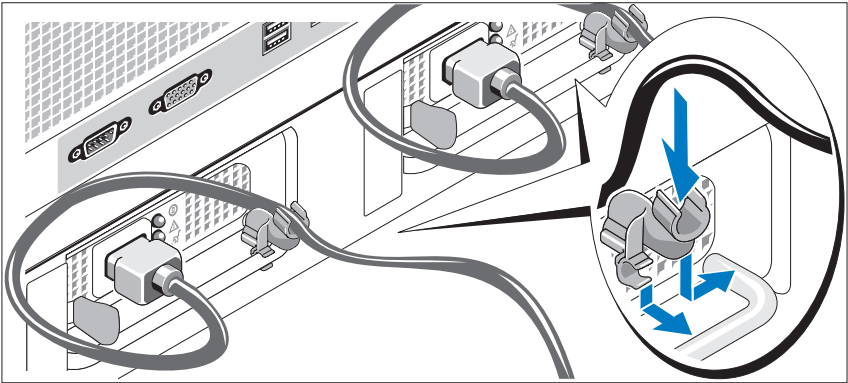
The connectors on the back of your system have icons indicating which cable to plug into each connector. Be sure to tighten the screws (if any) on the monitor's cable connector.

Connecting the Power



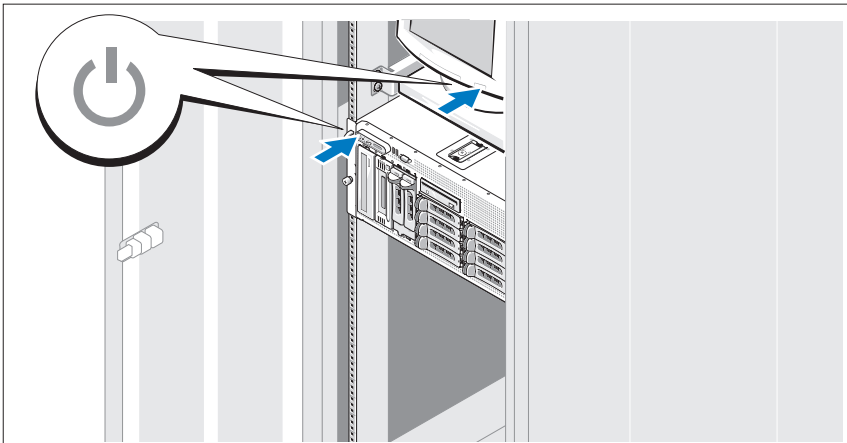
- 4 Connect the system's power cable(s) to the system.
- 5 Plug the other end of the cable into a grounded electrical outlet or a separate power source such as an uninterruptible power supply (UPS) or a power distribution unit (PDU).

Installing the Power Cord Retention Bracket



- 6 Attach the power cord retention bracket on the right bend of the power supply handle. Bend the system power cable into a loop as shown in the illustration and attach to the bracket's cable clasp. Repeat the procedure for the second power supply.

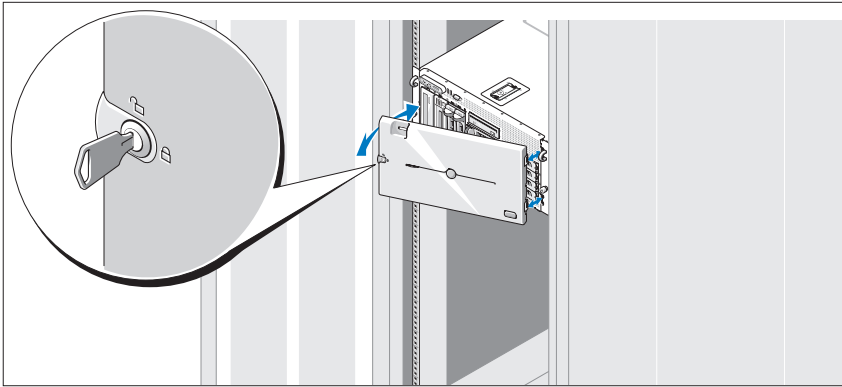
Turning on the System



- 7 Turn on the system and monitor (optional).

Press the power button on the system and the monitor. The power indicators should light. Adjust the monitor's controls until the displayed image is satisfactory.

Installing the Bezel



- 8 Install the bezel (optional).

Complete the Operating System Setup

If you purchased a preinstalled operating system, see the operating system documentation that ships with your system. To install an operating system for the first time, see the *Quick Installation Guide*. Be sure the operating system is installed before installing hardware or software not purchased with the system.

Technical Specifications

Processor

| | |
|----------------|--|
| Processor type | One or two Dual-Core Intel Xeon Processors 5000 Sequence |
|----------------|--|

Expansion Bus

| | |
|-----------------|--|
| Bus type | PCI, PCI-X, PCIe |
| Expansion slots | |
| PCI-X | two full-height, full-length 3.3-V, 64-bit, 133-MHz (slots 1 and 2) |
| PCIe | one x8 lane, 3.3-V (slot 3) three x4 lanes, 3.3-V (slots 4 through 6) |

Memory

| | |
|--------------------------|--|
| Architecture | 533 or 667 MHz (when available) Fully Buffered DIMMs (FBD) |
| Memory module sockets | twelve 240-pin |
| Memory module capacities | 256 MB, 512 MB, 1 GB, 2 GB, or 4 GB |
| Minimum RAM | 512 MB (two 256-MB module) |
| Maximum RAM | 48 GB |

Drives

| | |
|----------------|--|
| Hard drives | up to ten 3.5-inch, internal, hot-plug SAS or SATA <ul style="list-style-type: none">• eight drives in the internal drive bay• two drives in the optional 1x2 flexbay backplane expansion |
| Diskette drive | one optional 3.5-inch, 1.44-MB external optional USB 3.5-inch, 1.44-MB |
| Optical drive | one optional CD, DVD, or combination CD-RW/DVD NOTE: DVD devices are data only. external optional USB CD-ROM external optional USB DVD-ROM |
| Flash drive | external optional USB |

Connectors

Back

| | |
|--------|--|
| NIC | Two TOE-capable RJ-45 (for integrated 1-GB NICs) |
| Serial | 9-pin, DTE, 16550-compatible |
| USB | Four 4-pin, USB 2.0-compliant |
| Video | 15-pin VGA |

Connectors *(continued)*

Front

| | |
|-------|------------------------------|
| Video | 15-pin VGA |
| USB | Two 4-pin, USB 2.0-compliant |

Video

| | |
|--------------|---|
| Video type | ATI ES1000 video controller; VGA connectors |
| Video memory | 16 MB of DDR SDRAM |

Power**AC power supply (per power supply)**

| | |
|------------------------|--|
| Wattage | 930 W |
| Voltage | 90–264 VAC, autoranging, 47–63 Hz |
| Heat dissipation | 2697 BTU/hr maximum |
| Maximum inrush current | Under typical line conditions and over the entire system ambient operating range, the inrush current may reach 55 A per power supply for 10 ms or less |

Batteries

| | |
|-------------------------|-------------------------------------|
| System battery | CR 2032 3.0-V lithium ion coin cell |
| RAID battery (optional) | 4.1-V lithium ion |

Physical**Rack**

| | |
|--------------------------------|---|
| Height | 21.77 cm (8.57 in) |
| Width | 44.27 cm (17.43 in) chassis only 48.27 cm (19 in) with rack flanges |
| Depth | 66.13 cm (26.04 in) does not include control panel or bezel; control panel adds an additional 1.3 cm (.51 in) |
| Weight (maximum configuration) | 45.36 kg (100 lb) |

Physical *(continued)*

Tower (without bezel)

| | |
|--------------------------------|---|
| Height | 47.89 cm (18.85 in) with feet, no casters |
| Width | 22.66 cm (8.92 in) |
| Depth | 66.13 cm (26.04 in) does not include control panel or bezel; control panel adds an additional 1.3 cm (.51 in) |
| Weight (maximum configuration) | 49.9 kg (110 lb) |

Environmental

NOTE: For additional information about environmental measurements for specific system configurations, contact your technical support provider.

Temperature

| | |
|-----------|------------------------------|
| Operating | 10° to 35°C (50° to 95°F) |
| Storage | -40° to 65°C (-40° to 149°F) |

Relative humidity

| | |
|-----------|--|
| Operating | 20% to 80% (noncondensing) with a maximum humidity gradation of 10% per hour |
| Storage | 5% to 95% (noncondensing) |

Maximum vibration

| | |
|-----------|--|
| Operating | 0.26 G from 5–350Hz for 2 min in the Z axis |
| Storage | 1.54 G from 10–250 Hz for 15 min in all orientations |

Maximum shock

| | |
|-----------|---|
| Operating | One shock pulse in the positive z axis (one pulse on each side of the system) of 41 G for up to 2 ms |
| Storage | Six consecutively executed shock pulses in the positive and negative x, y, and z axes (one pulse on each side of the system) of 71 G for up to 2 ms |

Altitude

| | |
|-----------|------------------------------------|
| Operating | -16 to 3,048 m (-50 to 10,000 ft) |
| Storage | -16 to 10,600 m (-50 to 35,000 ft) |

Index

C

combination CD-RW/DVD, 5

E

expansion-card cage, 6

I

installation and configuration, 8

integrated RAID controller, 6

M

memory, 5

interleaving, 5

N

NICs, 6

P

processors, 5

R

remote access controller

remote systems management, 6

remote access controller card, 6

remote systems management

remote access controller card, 6

S

supported Operating Systems, 7

symmetric multiprocessing
(SMP), 5

system features, 5

CD drive, 5

diskette drive, 5

DVD drive, 5

memory, 5

NICs, 6

power supply, 5

processors, 5

system features (*continued*)
remote access controller card, 6
symmetric multiprocessing
(SMP), 5
USB, 6
video controller, 6

T

technical assistance, 7
technical specifications, 12

V

video controller, 6

Systèmes Dell™
PowerVault™ 600

Guide de mise en route

Modèle MVT01



Remarques, avis et précautions



REMARQUE : Une REMARQUE indique des informations importantes qui vous aident à mieux utiliser votre ordinateur.



AVIS : Un AVIS vous avertit d'un risque de dommage matériel ou de perte de données et vous indique comment éviter le problème.



PRÉCAUTION : Une PRÉCAUTION indique un risque potentiel d'endommagement du matériel, de blessure corporelle ou de mort.

Les informations contenues dans ce document peuvent être modifiées sans préavis.

© 2007 Dell Inc. Tous droits réservés.

La reproduction de ce document de quelque manière que ce soit sans l'autorisation écrite de Dell Inc. est strictement interdite.

Marques utilisées dans ce document : *Dell*, le logo *DELL* et *PowerVault* sont des marques de Dell Inc. ; *Intel Core* et *Core 2 Duo* sont des marques de *Intel*, *Pentium* et *Xeon* sont des marques déposées de Intel Corporation aux Etats-Unis et dans d'autres pays ; *Microsoft*, *Windows* et *Windows Storage Server* sont des marques ou des marques déposées de Microsoft Corporation aux États-Unis et/ou dans d'autres pays.

Tous les autres noms de marques et marques commerciales utilisés dans ce document se rapportent aux sociétés propriétaires des marques et des noms de ces produits. Dell Inc. décline tout intérêt dans l'utilisation des marques déposées et des noms de marques ne lui appartenant pas.

Modèle MVT01

Septembre 2007

N/P CX193

Rév. A00

Sommaire

| | |
|---|---------------|
| Caractéristiques du système | 23 |
| Systèmes d'exploitation pris en charge. | 25 |
| Autres informations utiles. | 25 |
| Obtention d'une assistance technique | 26 |
| Installation et configuration. | 26 |
| Déballage du système | 27 |
| Installation des rails et du système dans un rack | 28 |
| Connexion du clavier, de la souris et du moniteur | 29 |
| Branchement des câbles d'alimentation. | 29 |
| Fixation du support du câble d'alimentation | 30 |
| Mise sous tension du système | 30 |
| Installation du cadre | 31 |
| Finalisation de l'installation du système d'exploitation | 31 |
| Spécifications techniques. | 32 |
| Index | 37 |

Caractéristiques du système

Les principales caractéristiques du système sur le plan matériel et logiciel sont les suivantes :

- Un ou deux processeurs double cœur Intel® Xeon® 5000.
- Prise en charge du SMP (Symmetric Multiprocessing [multi-traitement symétrique]), disponible sur les systèmes dotés de deux processeurs Intel Xeon. Le SMP améliore considérablement les performances du système en partageant les tâches des processeurs entre des processeurs indépendants. Pour utiliser cette fonctionnalité, vous devez utiliser un système d'exploitation prenant en charge le multi-traitement.



REMARQUE : Si vous décidez de mettre votre système à niveau en installant un second processeur, vous devez commander les kits de mise à niveau de processeur chez votre fournisseur. Certaines versions du processeur Intel Xeon ne fonctionnent pas correctement comme processeurs supplémentaires. Le kit de mise à niveau contient la version de processeur correcte, le dissipateur de chaleur et le ventilateur ainsi que les instructions de mise à niveau.

- Un minimum de 512 Mo sous forme de barrettes DIMM FBD (Fully Buffered DIMM), 533 à 667 MHz (selon disponibilité), extensibles à un maximum de 48 Go via l'installation de combinaisons de barrettes de 256 Mo, 512 Mo, 1 Go, 2 Go ou 4 Go dans les douze emplacements pour barrettes mémoire de la carte système.

Le système est également équipé d'une mémoire redondante, ce qui permet de bénéficier d'une réserve utilisée en cas de défaillance, ou d'une fonction de mise en miroir de la mémoire. Ces fonctions sont disponibles si huit ou douze des modules de mémoire installés sont identiques.

- Prise en charge possible de dix disques durs 3,5 pouces SAS ou SATA internes et enfichables à chaud (huit avec une carte de fond de panier enfichable à chaud, et deux lecteurs supplémentaires dans la baie de périphériques avec la carte de fond de panier FlexBay 1x2 en option).
- La baie de périphériques peut aussi recevoir les options suivantes : un lecteur optique et un périphérique de sauvegarde sur bande (TBU) de mi-hauteur. Une TBU pleine hauteur peut être installée si le support de la carte de fond de panier FlexBay 1x2 est retiré.
- Un lecteur de disquette de 1,44 Mo/3,5 pouces, en option.
- Un lecteur de CD ou de DVD ou un lecteur CD-RW/DVD (tous deux en option).



REMARQUE : Les périphériques DVD sont uniquement des périphériques de données.

- Un détecteur d'intrusion qui transmet une alerte au logiciel de gestion des systèmes approprié en cas d'ouverture du capot de l'ordinateur.
- Jusqu'à deux blocs d'alimentation de 930 W enfichables à chaud dans une configuration redondante 1 + 1.
- Six ventilateurs de refroidissement enfichables à chaud.

La carte système offre les caractéristiques suivantes :

- Six logements PCI situés dans un bâti de cartes d'extension. Logements 1 et 2 : PCI-X 64 bits à 3,3 V et 133 MHz. Logement 3 : PCIe x8 à 3,3 V. Logements 4 à 6 : PCIe x4 à 3,3 V. Les logements de cartes d'extension permettent d'installer des cartes d'extension pleine hauteur et pleine longueur. Le format maximal pris en charge par les logements PCIe pour les cartes d'extension est x8.
- Logement PCI réservé pour un adaptateur de bus hôte SAS intégré ou une carte contrôleur RAID intégrée en option avec mémoire cache de 256 Mo et pile RAID.



REMARQUE : Le démarrage du système à partir d'un périphérique externe connecté à une carte SAS ou SCSI n'est pas pris en charge (cartes SAS 5/E, PERC 5/E et PERC 4e/DC incluses). Adressez-vous à votre prestataire de support technique pour obtenir les informations les plus récentes concernant le démarrage à partir de périphériques externes.

- Deux cartes réseau Ethernet Gigabit intégrées, capables de prendre en charge des débits de données de 10, 100 et 1000 Mbps.
- Six connecteurs USB 2.0 (deux à l'avant et quatre à l'arrière) pour la connexion d'un périphérique externe (lecteur de disquette, de CD-ROM ou de DVD-ROM, clavier, souris ou lecteur flash USB).
- Un contrôleur d'accès à distance en option, pour la gestion de systèmes à distance.
- Un sous-système vidéo compatible VGA intégré avec un contrôleur vidéo PCI ATI ES1000 à 33 MHz. Ce sous-système contient 16 Mo de mémoire vidéo SDRAM DDR (non extensible). La définition maximale prise en charge est de 1600 x 1200 avec 64 000 couleurs. Les graphiques True-color sont pris en charge dans les définitions suivantes : 640 x 480, 800 x 600, 1024 x 768, 1152 x 864 et 1280 x 1024. Lorsque la carte d'accès à distance en option est installée, la définition vidéo est de 1024 x 768.

- Des circuits de gestion de systèmes qui surveillent le fonctionnement des ventilateurs, ainsi que les tensions et les températures critiques, des systèmes. Il fonctionne en collaboration avec le logiciel de gestion de systèmes.
- Un contrôleur BMC (contrôleur de gestion de la carte de base) standard avec accès série.
- Le panneau arrière contient un connecteur vidéo, un port série, quatre connecteurs USB et deux connecteurs de NIC.
- Les connecteurs du panneau avant comprennent un connecteur vidéo et deux connecteurs USB.
- Un écran LCD 1x5 sur le panneau avant, affichant l'ID du système et les messages d'erreur.
- Un bouton d'ID du système sur les panneaux avant et arrière.

Pour plus d'informations sur des caractéristiques spécifiques, voir “Spécifications techniques”, page 32.

Systèmes d'exploitation pris en charge

- Microsoft® Windows Storage Server™ 2003 R2 Express Edition (x64)
- Microsoft Windows Storage Server 2003 R2 Workgroup Edition (x64)

Autres informations utiles



PRÉCAUTION : Le document *Product Information Guide* (Guide d'information sur le produit) contient d'importantes informations se rapportant à la sécurité et aux réglementations. Les informations sur la garantie se trouvent soit dans ce document, soit à part.


- Le document *Instructions d'installation du rack* ou le *Guide d'installation du rack* fournis avec la solution rack décrivent l'installation du système.
- Le document *Hardware Owner's Manual* (Manuel du propriétaire) contient des informations sur les caractéristiques du système, ainsi que des instructions relatives au dépannage et à l'installation ou au remplacement de composants. Il se trouve sur les CD fournis avec le système ou obtenu auprès de votre support technique.

- Les CD fournis avec votre système contiennent des documents et des outils relatifs à la configuration et à la gestion du système.
- Des notes de version ou des fichiers lisez-moi (readme) sont parfois fournis ; ils contiennent des mises à jour de dernière minute apportées au système ou à la documentation, ou des documents de référence technique avancés destinés aux utilisateurs expérimentés ou aux techniciens.


Obtention d'une assistance technique

Si vous ne comprenez pas une procédure décrite dans ce guide ou si le système ne réagit pas comme prévu, consultez le document *Hardware Owner's Manual* (Manuel du propriétaire).

Installation et configuration

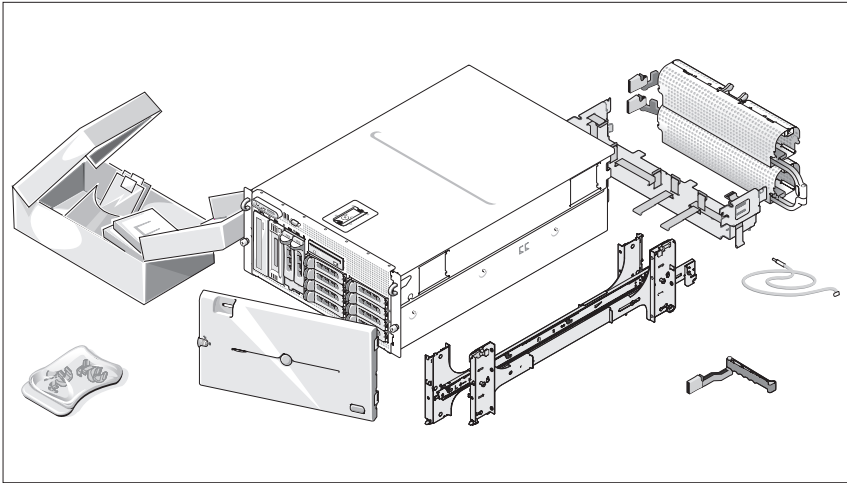
 **PRÉCAUTION : Avant d'exécuter la procédure suivante, lisez les consignes de sécurité et les informations importantes sur les réglementations figurant dans le *Guide d'informations sur le produit*. Veillez à les respecter scrupuleusement.**

Cette section décrit les étapes à exécuter lors de la configuration initiale du système. Les illustrations suivantes représentent un système monté en rack, mais la majeure partie de la procédure s'applique aux systèmes autonomes configurés en tour. Au lieu de suivre les instructions d'installation en rack de l'étape 2, reportez-vous aux consignes de la documentation du système indiquant comment installer les pieds stabilisateurs.

 **PRÉCAUTION : L'installation des pieds stabilisateurs sur un système autonome configuré en tour est indispensable. Sinon, le système risque de basculer, ce qui pourrait entraîner des dommages matériels et occasionner des blessures corporelles.**

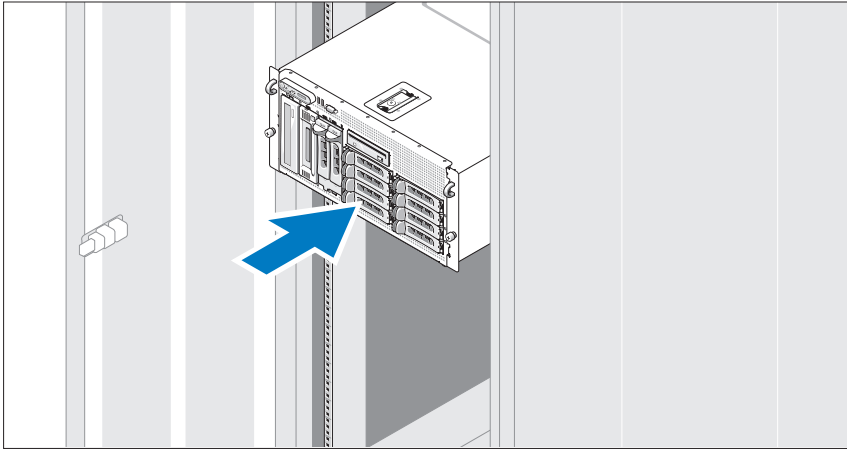
 **PRÉCAUTION : Demandez toujours de l'aide avant de soulever le système. N'essayez pas de le soulever seul car vous risqueriez de vous blesser.**

Déballage du système



- 1 Sortez le système de son emballage et identifiez chaque élément.
Conservez les matériaux d'emballage au cas où vous en auriez besoin ultérieurement.

Installation des rails et du système dans un rack

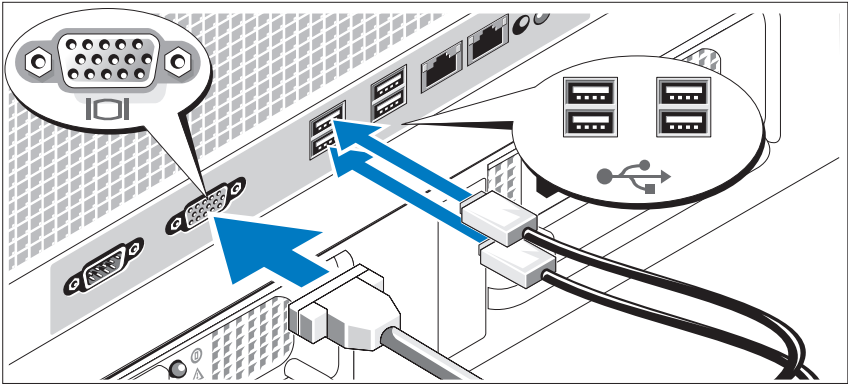


- 2 Commencez par lire les consignes de sécurité qui se trouvent dans la documentation d'installation du rack, puis installez les rails et le système dans le rack.

Consultez la documentation d'installation du rack pour obtenir les instructions appropriées.

Pour un système configuré en tour, consultez la documentation appropriée pour savoir comment installer les pieds stabilisateurs.

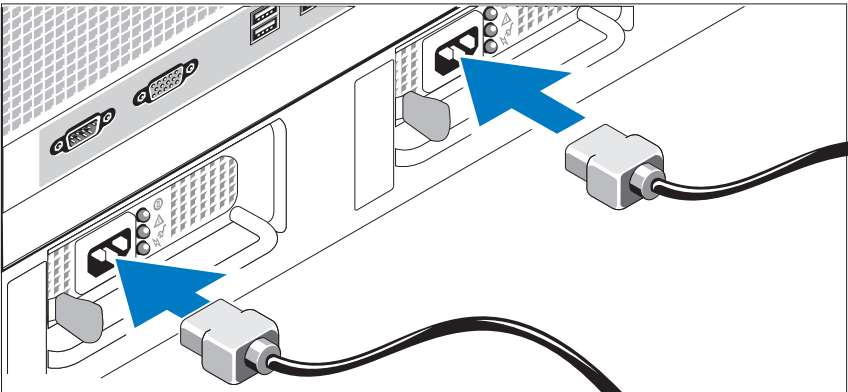
Connexion du clavier, de la souris et du moniteur



- 3 Connectez le clavier, la souris et le moniteur (facultatif).

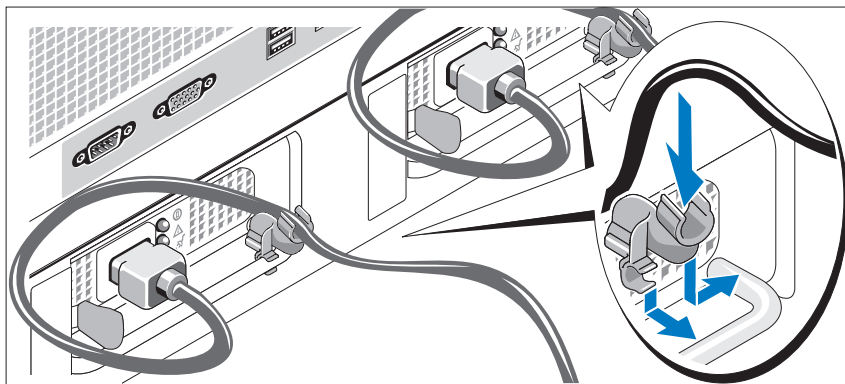
Utilisez les icônes des connecteurs situés à l'arrière du système pour savoir où insérer chaque câble. N'oubliez pas de serrer les vis situées sur le connecteur du câble du moniteur, s'il en est équipé.

Branchement des câbles d'alimentation



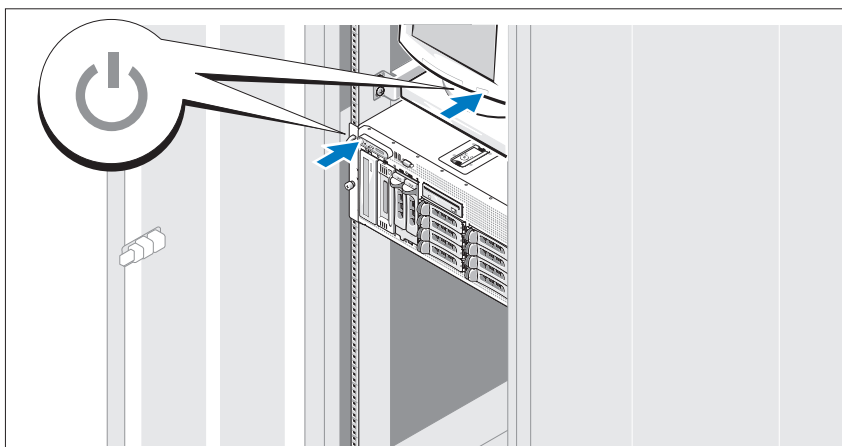
- 4 Branchez le(s) câble(s) d'alimentation sur le système.
- 5 Branchez ensuite l'autre extrémité du câble sur une prise de courant mise à la terre ou sur une source d'alimentation autonome (onduleur ou unité de distribution de l'alimentation).

Fixation du support du câble d'alimentation



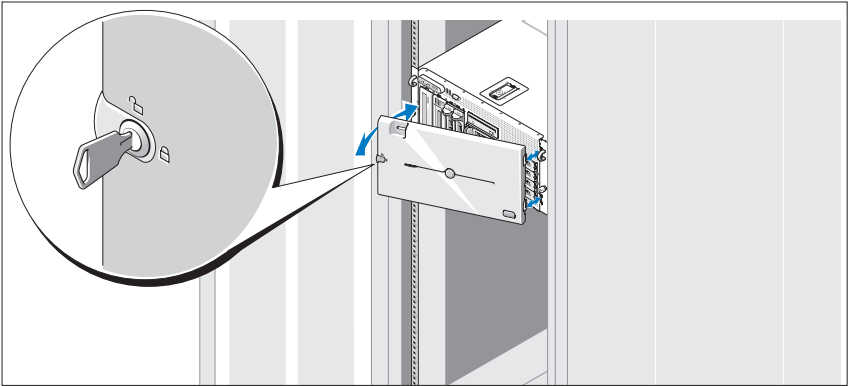
- 6 Fixez le support du câble sur la partie droite de la poignée du bloc d'alimentation. Faites une boucle comme indiqué dans l'illustration et insérez le câble d'alimentation dans le clip du support. Recommencez cette procédure pour le second bloc d'alimentation.

Mise sous tension du système



- 7 Mettez le système sous tension, ainsi que le moniteur, si nécessaire.
Appuyez sur le bouton d'alimentation du système et sur celui du moniteur. Les voyants d'alimentation doivent s'allumer. Réglez le moniteur jusqu'à ce que l'image soit correctement affichée.

Installation du cadre



- 8 Installez le cadre (facultatif).

Finalisation de l'installation du système d'exploitation

Si vous avez acheté un système d'exploitation préinstallé, consultez tout d'abord la documentation correspondante, qui vous a été fournie avec le système. Si vous installez un système d'exploitation pour la première fois, consultez le document *Quick Installation Guide* (Guide d'installation rapide). Veillez à installer le système d'exploitation avant tout élément matériel ou logiciel acheté séparément.

Spécifications techniques

Processeur

| | |
|--------------------|---|
| Type de processeur | Un ou deux processeurs double cœur Intel Xeon 5000 |
|--------------------|---|

Bus d'extension

| | |
|-------------|------------------|
| Type de bus | PCI, PCI-X, PCIe |
|-------------|------------------|

Logements d'extension

| | |
|-------|---|
| PCI-X | Les emplacements 1 et 2 peuvent accueillir deux cartes 64 bits, pleine hauteur, pleine longueur, fonctionnant à 3,3 V et cadencées à 133 MHz. |
|-------|---|

| | |
|------|---|
| PCIe | Emplacement 3 : x8 / 3,3 V Emplacements 4, 5 et 6 : x4 / 3,3 V |
|------|---|

Mémoire

| | |
|--------------|---|
| Architecture | Barrettes FB-DIMM (Fully Buffered DIMM) à 533 ou 667 MHz (selon disponibilité) |
|--------------|---|

| | |
|-------------------------------|---------------------|
| Supports de module de mémoire | Douze à 240 broches |
|-------------------------------|---------------------|

| | |
|--------------------------------|------------------------------------|
| Modules de mémoire compatibles | 256 Mo, 512 Mo, 1 Go, 2 Go ou 4 Go |
|--------------------------------|------------------------------------|

| | |
|--------------|---------------------------------|
| RAM minimale | 512 Mo (deux modules de 256 Mo) |
|--------------|---------------------------------|

| | |
|--------------|-------|
| RAM maximale | 48 Go |
|--------------|-------|

Lecteurs

| | |
|--------------|--|
| Disques durs | Jusqu'à dix disques durs internes SAS ou SATA de 3,5 pouces, enfichables à chaud <ul style="list-style-type: none">• Huit disques dans la baie de lecteurs interne• Deux disques dans l'extension de fond de panier FlexBay 1x2 (en option) |
|--------------|--|

| | |
|----------------------|--|
| Lecteur de disquette | Un lecteur 3,5 pouces de 1,44 Mo en option Un lecteur USB externe 3,5 pouces de 1,44 Mo en option |
|----------------------|--|

Lecteurs *(Suite)*

| | |
|-----------------|---|
| Lecteur optique | Un lecteur de CD ou de DVD, ou un lecteur CD-RW/DVD (tous deux en option) REMARQUE : Les périphériques DVD sont uniquement des périphériques de données. Un lecteur de CD-ROM USB externe en option Un lecteur de DVD-ROM USB externe en option |
| Lecteur Flash | USB externe en option |

Connecteurs

À l'arrière

| | |
|-------|---|
| NIC | Deux connecteurs RJ-45 compatibles TOE (pour NIC 1 Go intégrés) |
| Série | Connecteur DTE à 9 broches, compatible 16550 |
| USB | Quatre connecteurs à 4 broches, compatibles USB 2.0 |
| Vidéo | VGA, 15 broches |

À l'avant

| | |
|-------|---|
| Vidéo | VGA, 15 broches |
| USB | Deux connecteurs à 4 broches, compatibles USB 2.0 |

Vidéo

| | |
|---------------|---|
| Type de vidéo | Contrôleur vidéo ATI ES1000 ; connecteurs VGA |
| Mémoire vidéo | 16 Mo, DDR SDRAM |

Alimentation

Bloc d'alimentation CA (selon la tension en vigueur)

| | |
|--------------------------|--|
| Puissance | 930 W |
| Tension | 90-264 VCA avec sélection automatique de la tension, 47-63 Hz |
| Dissipation thermique | 2697 BTU/heure maximum |
| Appel de courant maximal | Dans des conditions de lignes typiques et dans toute la gamme ambiante de fonctionnement du système, l'appel de courant peut atteindre 55 A par bloc d'alimentation pendant un maximum de 10 ms. |

Piles

| | |
|-----------------------|--|
| Pile du système | Pile bouton au lithium-ion CR 2032, de 3 V |
| Pile RAID (en option) | 4,1 V au lithium-ion |

Caractéristiques physiques

Rack

| | |
|--------------------------------|---|
| Hauteur | 21,77 cm (8,57 pouces) |
| Largeur | 44,27 cm (17,43 pouces) pour le châssis seul 48,27 cm (19 pouces) avec les collerettes du rack |
| Profondeur | 66,13 cm (26,04 pouces) sans le panneau de commande et le cadre. Le panneau de commande ajoute 1,3 cm (0,51 pouce). |
| Poids (configuration maximale) | 45,36 kg (100 livres) |

Tour (sans cadre)

| | |
|--------------------------------|---|
| Hauteur | 47,89 cm (18,85 pouces) pieds compris, roulettes non installées |
| Largeur | 22,66 cm (8,92 pouces) |
| Profondeur | 66,13 cm (26,04 pouces) sans le panneau de commande et le cadre. Le panneau de commande ajoute 1,3 cm (0,51 pouce). |
| Poids (configuration maximale) | 49,9 kg (110 livres) |

Caractéristiques d'exploitation

REMARQUE : Pour plus d'informations concernant les mesures d'exploitation liées à différentes configurations spécifiques, adressez-vous à votre prestataire de support technique.

Température

| | |
|-------------------|-----------------------------|
| En fonctionnement | De 10 à 35°C (50 à 95°F) |
| Stockage | De -40 à 65°C (-40 à 149°F) |

Humidité relative

| | |
|-------------------|--|
| En fonctionnement | De 20 % à 80 % (sans condensation) avec une gradation d'humidité maximale de 10 % par heure. |
| Stockage | De 5 % à 95 % (sans condensation) |

Tolérance maximale aux vibrations

| | |
|-------------------|--|
| En fonctionnement | 0,26 G avec un balayage de 5 à 350 Hz pendant 2 minutes sur l'axe Z |
| En stockage | 1,54 G avec un balayage de 10 à 250 Hz pendant 15 minutes (dans tous les sens) |

Choc maximal

| | |
|-------------------|---|
| En fonctionnement | Une impulsion de choc de 41 G pendant un maximum de 2 ms sur l'axe z positif (une impulsion de chaque côté du système) |
| En stockage | Six chocs consécutifs de 71 G pendant un maximum de 2 ms en positif et négatif sur les axes x, y et z (une impulsion de chaque côté du système) |

Altitude

| | |
|-------------------|--|
| En fonctionnement | De -16 à 3 048 m (-50 à 10 000 pieds) |
| En stockage | De -16 à 10 600 m (-50 à 35 000 pieds) |

Index

A

Assistance technique, 26

B

Bâti des cartes d'extension, 24

C

Caractéristiques du système, 23

 bloc d'alimentation, 24

 carte contrôleur

 d'accès à distance, 24

 contrôleur vidéo, 24

 lecteur de CD, 23

 lecteur de disquette, 23

 lecteur de DVD, 23

 mémoire, 23

 multi-traitement symétrique, 23

 NIC, 24

 processeurs, 23

 USB, 24

Carte contrôleur

 d'accès à distance, 24

Contrôleur d'accès à distance

 gestion de systèmes à distance, 24

Contrôleur RAID intégré, 24

Contrôleur vidéo, 24

G

Gestion de systèmes à distance

 carte contrôleur

 d'accès à distance, 24

I

Installation et configuration, 26

L

Lecteur CD-RW/DVD, 23

M

Mémoire, 23

 entrelacement, 23

Multi-traitement symétrique, 23

N

NIC, 24

P

Processeurs, 23

S

Spécifications techniques, 32

Systèmes d'exploitation
pris en charge, 25

Sistemas Dell™
PowerVault™ 600

Primeiros passos
com o sistema

Modelo MVT01



Notas, Avisos e Advertências



NOTA: NOTA fornece informações importantes para ajudar você a usar melhor o computador.



AVISO: AVISO indica possíveis danos ao hardware ou a possibilidade de perda de dados e ensina como evitar o problema



ADVERTÊNCIA: ADVERTÊNCIA indica um potencial de danos à propriedade, de lesões corporais ou até de morte.

As informações contidas neste documento estão sujeitas a alterações sem aviso prévio.

© 2007 Dell Inc. Todos os direitos reservados.

Fica proibida a reprodução por quaisquer meios sem a permissão por escrito da Dell Inc.

Marcas comerciais mencionadas neste texto: *Dell*, o logotipo da *DELL* e *PowerVault* são marcas comerciais da Dell Inc.; *Intel Core* e *Core 2 Duo* são marcas comerciais e *Intel*, *Pentium* e *Xeon* são marcas registradas da Intel Corporation nos Estados Unidos e em outros países; *Microsoft*, *Windows* e *Windows Storage Server* são marcas comerciais ou marcas registradas da Microsoft Corporation nos Estados Unidos e/ou em outros países.

As demais marcas e nomes comerciais podem ser utilizados neste documento em referência a empresas proprietárias das marcas e aos nomes de seus produtos. A Dell Inc. renuncia ao direito de qualquer participação em nomes e marcas comerciais que não sejam de sua propriedade.

Modelo MVT01

Setembro de 2007

N/P CX193

Rev. A00

Índice

| | |
|---|-----------|
| Recursos do sistema. | 43 |
| Sistemas operacionais compatíveis | 45 |
| Outras informações úteis | 46 |
| Como obter assistência técnica. | 46 |
| Instalação e configuração. | 47 |
| Remoção do sistema da embalagem. | 47 |
| Instalação dos trilhos e do sistema no rack | 48 |
| Conexão de teclado, mouse e monitor | 49 |
| Conexão da energia | 50 |
| Instalação do suporte de retenção do cabo de alimentação | 51 |
| Como ligar o sistema | 52 |
| Instalação da tampa frontal | 52 |
| Conclua a configuração do sistema operacional. | 53 |
| Especificações técnicas | 53 |
| Índice remissivo | 57 |

Recursos do sistema

As principais características de hardware e software do sistema incluem:

- Um ou dois processadores Intel® Xeon® Dual Core Série 5000.
- Suporte para multiprocessamento simétrico (SMP), disponível nos sistemas com dois processadores Intel Xeon. O SMP melhora enormemente o desempenho geral do sistema dividindo as operações do processador entre processadores independentes. Para tirar vantagem desse recurso, utilize um sistema operacional que suporte o multiprocessamento.



NOTA: Se decidir atualizar o sistema por meio da instalação de um segundo processador, solicite os kits de atualização de processador ao seu fornecedor. Nem todas as versões de processador Intel Xeon irão funcionar de forma adequada como processadores adicionais. O kit de upgrade contém a versão correta de processador, dissipador de calor e ventilador, bem como as instruções para a execução da atualização.

- Memória mínima de 512 MB com Fully Buffered DIMMs (FBD) de 533 MHz ou 667 MHz (quando disponível), atualizável até o máximo de 48 GB por meio da instalação de combinações de módulos de memória de 256 MB, 512 MB, 1 GB, 2 GB ou 4 GB nos doze soquetes para módulos de memória existentes na placa do sistema.

O sistema também apresenta o recurso de memória redundante que proporciona reserva ou espelhamento de memória. Esses recursos estarão disponíveis se oito ou doze módulos de memória idênticos forem instalados.

- Suporte para até dez unidades de disco rígido SAS (Serial-Attached SCSI) ou SATA de 3,5 polegadas e com conexão automática (oito unidades de 3,5 polegadas e placa de backplane com conexão automática e suporte para duas unidades adicionais de 3,5 polegadas com conexão automática no compartimento periférico utilizando a placa de backplane 1x2 flexbay opcional).
- O compartimento periférico oferece suporte para uma unidade óptica opcional e uma unidade de fita para backup de meia altura (TBU). Há suporte para unidade TBU de meia altura com o suporte 1x2 flexbay removido.
- Uma unidade de disquete de 3,5 polegadas de 1,44 MB.

- Uma unidade opcional de CD, DVD ou combinação de CD-RW/DVD.



NOTA: Os dispositivos de DVD destinam-se somente a dados.

- Uma chave de violação que sinaliza ao software de gerenciamento de sistemas adequado quando a tampa superior é aberta.
- Até duas fontes de alimentação de 930 W com conexão automática, em uma configuração redundante 1+1.
- Seis ventiladores de sistema com conexão automática.

A placa de sistema inclui os seguintes recursos:

- Seis slots PCI localizados em um compartimento da placa de expansão. Os slots 1 e 2 são slots PCI-X de 3,3 V, 64-bits, 133 MHz; o slot 3 é um slot PCIe de 3,3 V de pista x8; os slots 4 a 6 são PCIe de 3,3-V, pistas x4. Os slots da placa de expansão acomodam placas de expansão de meia altura e meio comprimento. Os slots PCIe acomodam placas de expansão de até x8.
- Slot PCI dedicado para um adaptador de barramento host SAS integrado ou uma placa controladora RAID integrada opcional, com 256 MB de memória cache e uma bateria RAID.



NOTA: A inicialização do sistema não tem suporte de dispositivos externos conectados ao adaptador SAS ou SCSI, incluindo SAS 5/E, PERC 5/E ou PERC 4e/DC. Entre em contato com o fornecedor de suporte técnico para obter as informações de suporte mais recentes sobre a inicialização a partir de dispositivos externos.

- Duas placas NIC Gigabit Ethernet integradas, capazes de suportar taxas de dados de 10 Mbps, 100 Mbps e 1.000 Mbps.
- Seis conectores compatíveis com USB 2.0, dois na parte frontal e quatro na parte traseira, capazes de suportar unidades de disquete, unidades de CD-ROM ou DVD-ROM, teclado, mouse ou unidades flash USB.
- Controlador de acesso remoto (RAC) opcional para o gerenciamento remoto de sistemas.

- Um subsistema de vídeo compatível com o padrão VGA, com um controlador de vídeo PCI ATI ES1000 de 33 MHz. O subsistema de vídeo contém 16 MB de memória de vídeo DDR SDRAM (não atualizável). A resolução máxima é de 1600 x 1200 com 64 mil cores e os gráficos do tipo true-color têm suporte nas seguintes resoluções: 640 x 480, 800 x 600, 1024 x 768, 1152 x 864 e 1280 x 1024. Quando o RAC opcional estiver instalado, a resolução de vídeo será de 1024 x 768.
- Circuito de gerenciamento de sistemas que monitora o funcionamento dos ventiladores do sistema e as voltagens e temperaturas críticas. O circuito de gerenciamento de sistemas trabalha em conjunto com o software de gerenciamento de sistemas.
- Controlador padrão de gerenciamento da placa de base com acesso serial.
- Os conectores do painel traseiro incluem um conector serial, um conector de vídeo, quatro conectores USB e dois conectores NIC.
- Os conectores do painel frontal incluem um conector de vídeo e dois conectores USB.
- Um visor LCD de 1x5 pol. no painel frontal para visualização da identificação do sistema e de mensagens de erro.
- Botão de identificação do sistema nos painéis frontal e traseiro.

Para obter mais informações sobre recursos específicos, consulte a seção “Especificações técnicas” on page 53.

Sistemas operacionais compatíveis

- Microsoft® Windows Storage Server™ 2003 R2 Express Edition (x64)
- Microsoft Windows Storage Server 2003 R2 Workgroup Edition (x64)

Outras informações úteis



ADVERTÊNCIA: O *Guia de informações do produto* fornece informações importantes sobre segurança e regulamentação. As informações sobre garantia podem estar incluídas neste documento ou serem fornecidas como documento separado.

- O documento *Rack Installation Instructions* (Instruções para montagem em rack) ou *Rack Installation Guide* (Guia para instalação em rack) incluído com a solução em rack descreve como instalar o sistema em racks.
- O *Manual do proprietário de hardware* fornece informações sobre os recursos do sistema e descreve como solucionar problemas do sistema e instalar ou substituir seus componentes. O *Manual do proprietário de hardware* está disponível nos CDs fornecidos com o sistema ou em seu fornecedor técnico.
- Os CDs incluídos com o sistema fornecem documentação e ferramentas para a configuração e o gerenciamento do sistema.
- Talvez existam notas de versão e arquivos Leia-me incluídos para fornecer as atualizações mais recentes do sistema ou documentação/material para referência técnica avançada destinados a usuários experientes ou técnicos.

Como obter assistência técnica

Se não compreender algum procedimento descrito neste guia ou se o sistema não apresentar o desempenho esperado, consulte o *Manual do proprietário de hardware*.

Instalação e configuração

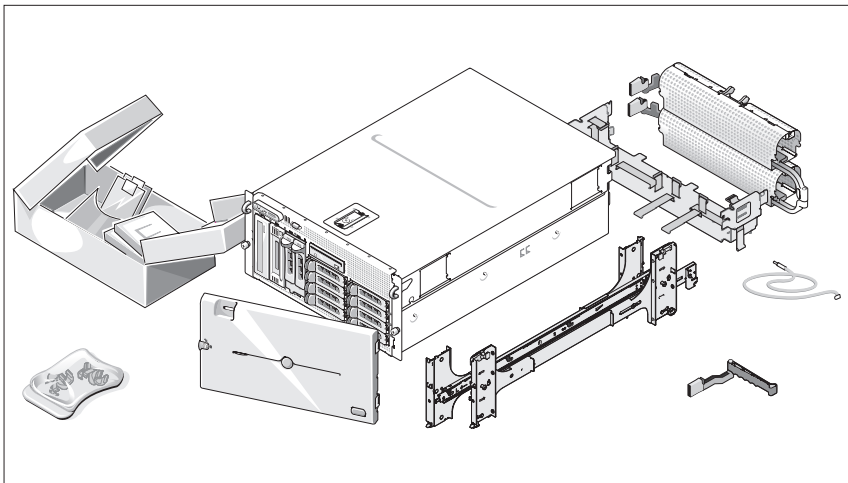
⚠️ ADVERTÊNCIA: Antes de executar o seguinte procedimento, leia e siga as instruções de segurança e as informações importantes de normalização contidas no *Guia de informações do produto*.

Esta seção descreve as etapas para a configuração do sistema pela primeira vez. As ilustrações seguintes mostram um sistema montado em rack, mas o procedimento de instalação aplica-se em grande parte a um sistema autônomo em torre. Na etapa 2, no lugar da instalação em rack, consulte a documentação fornecida com o sistema para saber como instalar os pés estabilizadores no sistema.

⚠️ ADVERTÊNCIA: A instalação dos pés no sistema autônomo em torre é necessária para fornecer uma base estável para o sistema. A falha nesse procedimento apresenta o risco de tombamento do sistema, o que pode causar ferimentos pessoais ou danificar o equipamento.

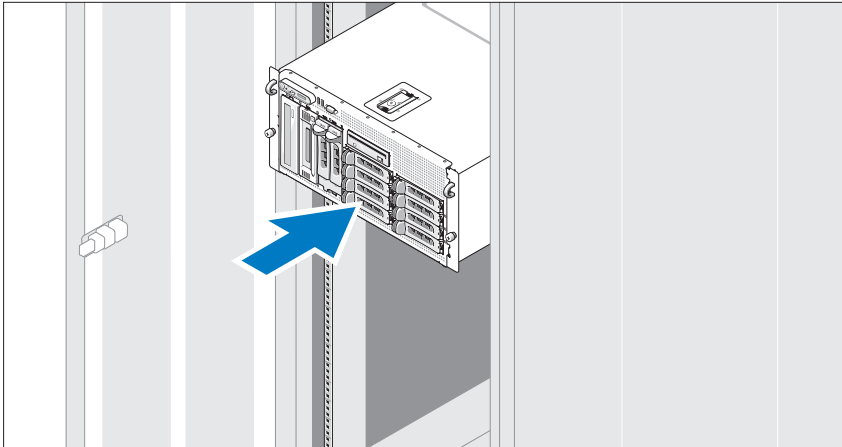
⚠️ ADVERTÊNCIA: Sempre que precisar levantar o sistema, solicite a ajuda de outras pessoas. Para evitar ferimentos, não tente levantá-lo por conta própria.

Remoção do sistema da embalagem



- 1** Remova o sistema da embalagem e identifique cada item.
Guarde todos os materiais de envio caso sejam necessários mais tarde.

Instalação dos trilhos e do sistema no rack

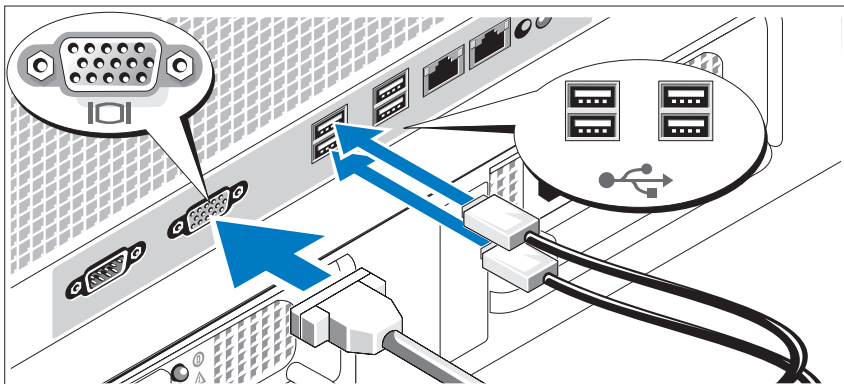


- 2** Depois de ler as instruções de segurança localizadas na documentação de instalação em rack para o sistema, instale os trilhos e o sistema no rack.

Consulte o documento de instalação do rack para obter instruções sobre como instalar o seu sistema em um rack.

No caso do sistema em torre, consulte a documentação fornecida com o sistema para obter informações sobre a instalação dos pés estabilizadores.

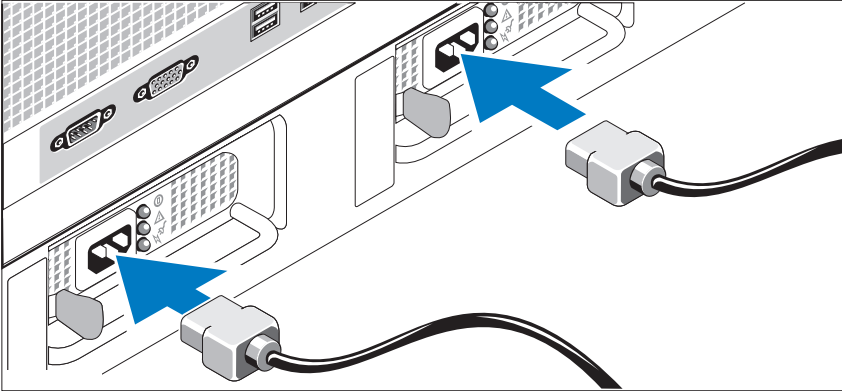
Conexão de teclado, mouse e monitor



- 3 Conecte o teclado, o mouse e o monitor (opcional).

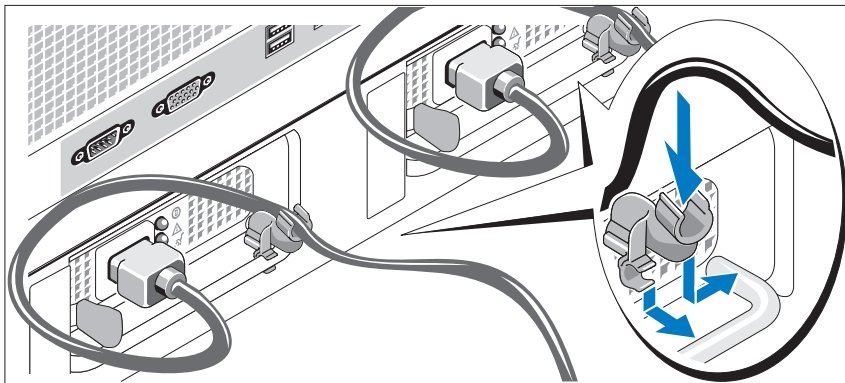
Os conectores localizados na parte traseira do sistema possuem ícones indicando quais cabos devem ser ligados a cada conector. Certifique-se de apertar os parafusos (se houver algum) no conector do cabo do monitor.

Conexão da energia



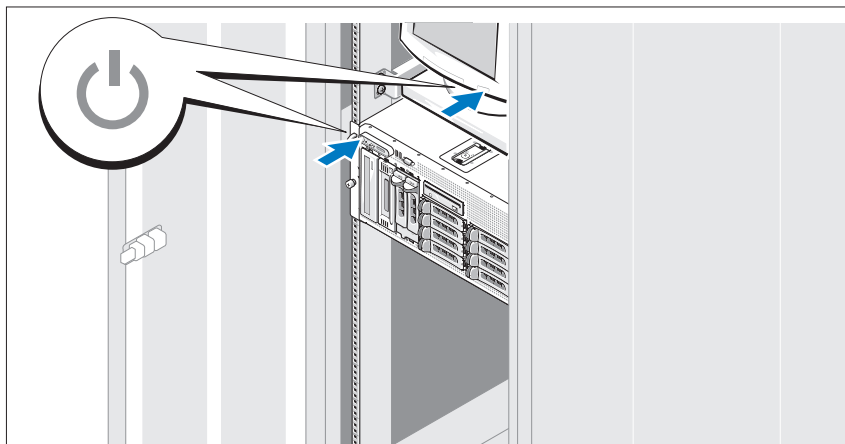
- 4** Conecte os cabos de alimentação ao sistema.
- 5** Conecte a outra extremidade do cabo a uma tomada elétrica aterrada ou a uma fonte de energia separada como, por exemplo, uma UPS (Uninterrupted Power Supply – Fonte de alimentação contínua) ou uma PDU (Power Distribution Unit – Unidade de distribuição de energia).

Instalação do suporte de retenção do cabo de alimentação



- 6 Conecte o suporte de retenção do cabo de alimentação na dobra direita da alça da fonte de alimentação. Dobre o cabo de alimentação do sistema em forma de laço conforme apresentado na ilustração e conecte-o ao colchete do cabo localizado no suporte. Repita o procedimento para a segunda fonte de alimentação.

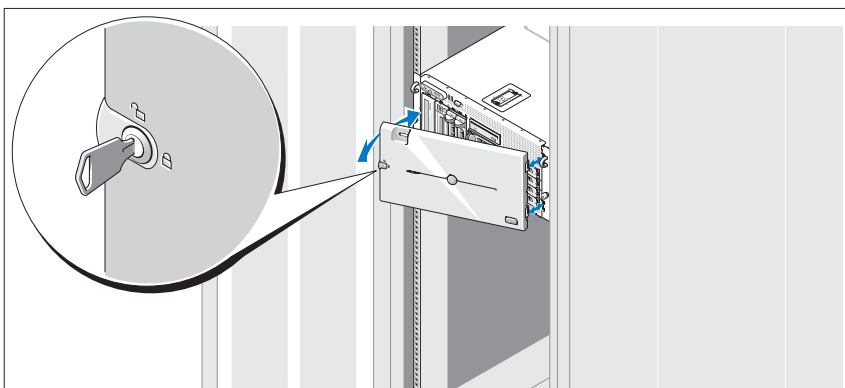
Como ligar o sistema



- 7** Ligue o sistema e o monitor (opcional).

Pressione o botão liga/desliga do sistema e do monitor. As luzes indicadoras de força deverão se acender. Ajuste os controles do monitor até que a imagem exibida seja satisfatória.

Instalação da tampa frontal



- 8** Instale a tampa frontal (opcional).

Conclua a configuração do sistema operacional

Caso tenha adquirido um sistema operacional pré-instalado, consulte a respectiva documentação fornecida com o sistema. Para instalar um sistema operacional pela primeira vez, consulte o *Guia de instalação rápida*. Certifique-se de que o sistema operacional esteja instalado antes de instalar qualquer hardware ou software que não tenha sido adquirido com o sistema.

Especificações técnicas

Processador

| | |
|---------------------|--|
| Tipo de processador | Um ou dois processadores Intel Xeon Dual Core Série 5000 |
|---------------------|--|

Barramento de expansão

| | |
|--------------------|------------------|
| Tipo de barramento | PCI, PCI-X, PCIe |
|--------------------|------------------|

Slots de expansão

| | |
|-------|--|
| PCI-X | Dois slots de 133 MHz de 64 bits e 3,3 V, com altura total e comprimento total (slots 1 e 2) |
| PCIe | Um slot de pista x8 de 3,3 V (slot 3) três slots de pista x4 de 3,3 V (slots de 4 a 6) |

Memória

| | |
|-------------------------------------|--|
| Arquitetura | Fully Buffered DIMMs (FBD) de 533 MHz ou 667 MHz (quando disponível) |
| Soquetes dos módulos de memória. | Doze de 240 pinos |
| Capacidades dos módulos de memória. | 256 MB, 512 MB, 1 GB, 2 GB ou 4 GB |
| RAM mínima | 512 MB (dois módulos de 256 MB) |
| RAM máxima | 48 GB |

Unidades

| | |
|--------------------------|--|
| Unidades de disco rígido | Até dez unidades SAS ou SATA internas de 3,5 polegadas com conexão automática <ul style="list-style-type: none">• Oito unidades no compartimento interno• Duas unidades no compartimento de expansão de backplane 1x2 flexbay |
| Unidade de disquete | uma unidade opcional de 3,5 polegadas de 1,44 MB Unidade USB externa opcional de 3,5 polegadas de 1,44 MB |
| Unidade óptica | Uma unidade opcional de CD, DVD ou combinação de CD-RW/DVD NOTE: Os dispositivos de DVD destinam-se somente a dados. Unidade óptica USB externa de CD-ROM opcional Unidade óptica USB externa de DVD-ROM opcional |
| Unidade flash | USB externa opcional |

Conectores

Parte posterior

| | |
|---------------|--|
| Placa de rede | Dois RJ-45 compatível com TOE (para NICs de 1 GB integradas) |
| Serial | DTE de 9 pinos, compatível com 16550 |
| USB | Quatro de 4 pinos, compatível com USB 2.0 |
| Vídeo | VGA de 15 pinos |

Parte frontal

| | |
|-------|---|
| Vídeo | VGA de 15 pinos |
| USB | Dois de 4 pinos, compatível com USB 2.0 |

Vídeo

| | |
|------------------|---|
| Tipo de vídeo | Controlador de vídeo ATI ES1000; conectores VGA |
| Memória de vídeo | 16 MB de DDR SDRAM |

Energia

Fonte de alimentação CA (por fonte de alimentação)

| | |
|----------------------------|---|
| Potência | 930 W |
| Tensão | 90–264 VCA, variação automática, 47–63 Hz |
| Dissipação de calor | Máxima de 2697 BTU/h |
| Corrente de entrada máxima | Sob condições de linha típicas e dentro de todo o intervalo de temperatura ambiente de funcionamento do sistema, a corrente de entrada poderá atingir 55 A por fonte de alimentação por 10 ms ou menos. |

Baterias.

| | |
|-------------------------|--|
| Bateria do sistema | Célula tipo moeda, de íon de lítio, CR 2032 de 3,0 V |
| Bateria RAID (opcional) | Íon de lítio de 4,1 V |

Físicas

Rack

| | |
|----------------------------|--|
| Altura | 21,77 cm (8,57 polegadas) |
| Largura | 44,27 cm (17,43 pol.) somente com o chassi 48,27 cm (19 pol.) com os flanges do rack |
| Profundidade | 66,13 cm (26,04 pol.) não inclui o painel de controle ou o painel; o painel de controle adiciona mais 1,3 cm (0,51 pol.) |
| Peso (configuração máxima) | 45,36 kg (100 libras) |

Torre (sem o painel)

| | |
|----------------------------|--|
| Altura | 47,89 cm (18,85 pol.) com os pés, sem os rodízios |
| Largura | 22,66 cm (8,92 polegadas) |
| Profundidade | 66,13 cm (26,04 pol.) não inclui o painel de controle ou o painel; o painel de controle adiciona mais 1,3 cm (0,51 pol.) |
| Peso (configuração máxima) | 49,9 kg (110 libras) |

Ambientais

NOTE: Para obter informações adicionais sobre os valores ambientais para configurações de sistema específicas, entre em contato com o fornecedor de suporte técnico.

Temperatura

| | |
|---------------|----------------------------------|
| Operacional | 10 °C a 35 °C (50 °F a 95 °F) |
| Armazenamento | -40 °C a 65 °C (-40 °F a 149 °F) |

Umidade relativa

| | |
|---------------|--|
| Operacional | 20% a 80% (sem condensação) com variação de umidade máxima de 10% por hora |
| Armazenamento | 5% a 95% (sem condensação) |

Vibração máxima

| | |
|---------------|--|
| Operacional | 0,26 G de 5-350 Hz por 2 minutos no eixo Z |
| Armazenamento | 1,54 G de 10-250 Hz por 15 minutos em todas as orientações |

Choque máximo

| | |
|---------------|--|
| Operacional | Um pulso de choque no eixo z positivo (um pulso de cada lado do sistema) de 41 G por até 2 ms |
| Armazenamento | Seis pulsos de choque executados consecutivamente nos eixos x, y e z positivos e negativos (um pulso de cada lado do sistema) de 71 G por até 2 ms |

Altitude

| | |
|---------------|---|
| Operacional | -16 m a 3.048 m (-50 a 10.000 pés) |
| Armazenamento | -16 m a 10.600 m (-50 pés a 35.000 pés) |

Índice remissivo

A

assistência técnica, 46

C

combinação de CD-
RW/DVD, 44

compartimento da placa
de expansão, 44

controlador de acesso remoto
gerenciamento remoto
de sistemas, 44

controlador de vídeo, 45

controlador RAID integrado, 44

E

especificações técnicas, 53

G

gerenciamento remoto
de sistemas
placa controladora
de acesso remoto, 44

I

instalação e configuração, 47

M

memória, 43
intercalação, 43

multiprocessamento
simétrico (SMP), 43

N

NICs, 44

P

placa controladora
de acesso remoto, 44
processadores, 43

R

- recursos do sistema, 43
 - controlador de vídeo, 45
 - fonte de alimentação, 44
 - memória, 43
 - multiprocessamento
 - simétrico (SMP), 43
 - NICs, 44
 - placa controladora
 - de acesso remoto, 44
 - processadores, 43
 - unidade de CD, 44
 - unidade de disquete, 43
 - unidade de DVD, 44
 - USB, 44

S

- sistemas operacionais
 - compatíveis, 45

Sistemas Dell™
PowerVault™ 600

Procedimientos iniciales
con el sistema

Modelo MVT01



Notas, avisos y precauciones



NOTA: una NOTA proporciona información importante que le ayudará a utilizar mejor el ordenador.



AVISO: un AVISO indica la posibilidad de daños en el hardware o la pérdida de datos, e informa de cómo evitar el problema.



PRECAUCIÓN: un mensaje de PRECAUCIÓN indica el riesgo de daños materiales, lesiones o incluso la muerte.

La información contenida en este documento puede modificarse sin previo aviso.

© 2007 Dell Inc. Todos los derechos reservados.

Queda estrictamente prohibida la reproducción de este documento en cualquier forma sin la autorización por escrito de Dell Inc.

Marcas comerciales utilizadas en este texto: *Dell*, el logotipo de *DELL* y *PowerVault* son marcas comerciales de Dell Inc.; *Intel Core* y *Core 2 Duo* son marcas comerciales e *Intel*, *Pentium* y *Xeon* son marcas comerciales registradas de Intel Corporation en los Estados Unidos y en otros países; *Microsoft*, *Windows* y *Windows Storage Server* son marcas comerciales o marcas comerciales registradas de Microsoft Corporation en los Estados Unidos o en otros países.

Otras marcas y otros nombres comerciales pueden utilizarse en este documento para hacer referencia a las entidades que los poseen o a sus productos. Dell Inc. renuncia a cualquier interés sobre la propiedad de marcas y nombres comerciales que no sean los suyos.

Modelo MVT01

Septiembre de 2007

N/P CX193

Rev. A00

Contenido

| | |
|---|-----------|
| Componentes del sistema | 63 |
| Sistemas operativos admitidos | 65 |
| Otra información útil. | 65 |
| Obtención de asistencia técnica | 66 |
| Instalación y configuración | 66 |
| Desembalaje del sistema | 67 |
| Instalación de los rieles y del sistema en un rack. | 68 |
| Conexión del teclado, el ratón y el monitor | 69 |
| Conexión de la alimentación | 70 |
| Instalación del soporte de retención del cable de alimentación | 71 |
| Encendido del sistema | 72 |
| Instalación del embellecedor | 72 |
| Finalización de la instalación del sistema operativo | 73 |
| Especificaciones técnicas | 73 |
| Índice | 77 |

Componentes del sistema

Los principales componentes de hardware y software del sistema son:

- Uno o dos procesadores Intel® Xeon® de doble núcleo 5000 Sequence.
- Compatibilidad con SMP (multiprocesamiento simétrico), disponible en sistemas con dos procesadores Intel Xeon. SMP mejora en gran medida el rendimiento global del sistema al repartir las operaciones del procesador entre procesadores independientes. Para aprovechar esta característica, debe utilizar un sistema operativo que admita el multiprocesamiento.



NOTA: si decide actualizar el sistema instalando un segundo procesador, debe solicitar a su proveedor los kits de actualización del procesador. No todas las versiones del procesador Intel Xeon funcionarán correctamente como procesadores adicionales. El kit de actualización contiene la versión correcta del procesador, del disipador de calor y de los ventiladores, así como las instrucciones para llevar a cabo la actualización.

- Un mínimo de 512 MB en DIMM con búfer completo (FBD) a 533 o 667 MHz (si está disponible), ampliable a un máximo de 48 GB mediante la instalación de combinaciones de módulos de memoria de 256 MB, 512 MB, 1 GB, 2 GB o 4 GB en los doce zócalos de módulo de memoria de la placa base.

El sistema también dispone de memoria redundante, que puede utilizarse como sustitución de memoria o duplicación de memoria. Ambas características están disponibles si se instalan ocho o doce módulos de memoria idénticos.

- Soporte para hasta diez unidades de disco duro internas de 3,5 pulgadas y acoplamiento activo, de tipo SAS (SCSI de conexión serie) o SATA (ocho unidades de disco duro internas de 3,5 pulgadas con tarjeta de plano posterior de acoplamiento activo y soporte para dos unidades adicionales de 3,5 pulgadas y acoplamiento activo en el compartimiento para periféricos mediante la placa de plano posterior 1x2 Flexbay opcional).
- El compartimiento para periféricos permite alojar una unidad óptica opcional y una unidad opcional de copia de seguridad en cinta (TBU) de media altura. Se admite una TBU de altura completa cuando el soporte 1x2 Flexbay no está insertado.
- Una unidad opcional de disquete de 3,5 pulgadas y 1,44 MB.
- Una unidad opcional de CD, de DVD o combinada de CD-RW/DVD.



NOTA: los dispositivos de DVD son sólo de datos.

- Un interruptor de intrusión que indica el software de administración de sistemas adecuado si se abre la cubierta superior.
- Hasta dos fuentes de alimentación de 930 W de acoplamiento activo en una configuración redundante 1 + 1.
- Seis ventiladores de acoplamiento activo para la refrigeración del sistema.

La placa base incluye los componentes siguientes:

- Seis ranuras PCI ubicadas en una canastilla para tarjetas de expansión. Las ranuras 1 y 2 son PCI-X de 3,3 V y 64 bits a 133 MHz; la ranura 3 es PCIe x8 de 3,3 V, y las ranuras de la 4 a la 6 son PCIe x4 de 3,3 V. Las ranuras para tarjetas de expansión pueden alojar tarjetas de expansión de longitud y altura completas. Las ranuras PCIe admiten tarjetas de expansión hasta x8.
- Una ranura PCI dedicada para un adaptador de bus de host SAS integrado o una tarjeta controladora RAID integrada opcional con 256 MB de memoria caché y una batería RAID.



NOTA: no es posible iniciar el sistema desde un dispositivo externo conectado a un adaptador SAS o SCSI, incluidos SAS 5/E, PERC 5/E o PERC 4e/DC. Póngase en contacto con su proveedor de asistencia técnica para obtener la información de soporte más reciente sobre cómo iniciar el sistema desde dispositivos externos.

- Dos NIC Ethernet Gigabit integradas que admiten velocidades de datos de 10 Mbps, 100 Mbps y 1 000 Mbps.
- Seis conectores compatibles con USB 2.0 (dos en la parte frontal y cuatro en la parte posterior) que admiten una unidad de disquete, una unidad de CD-ROM o DVD-ROM, un teclado, un ratón o una unidad flash USB.
- Controladora de acceso remoto (RAC) opcional para la administración remota de sistemas.
- Un subsistema de vídeo integrado compatible con VGA con una controladora de vídeo PCI ATI ES1000 a 33 MHz. Este subsistema de vídeo contiene 16 MB de memoria de vídeo SDRAM DDR (no ampliable). La resolución máxima es de 1 600 x 1 200 con 64 000 colores; se admiten gráficos de color verdadero en las resoluciones siguientes: 640 x 480, 800 x 600, 1 024 x 768, 1 152 x 864 y 1 280 x 1 024. Cuando la RAC opcional está instalada, la resolución de vídeo es de 1 024 x 768.


- Circuitos de administración de sistemas que supervisan el funcionamiento de los ventiladores del sistema, así como los voltajes y temperaturas críticos del sistema. Los circuitos de administración de sistemas funcionan conjuntamente con el software de administración de sistemas.
- Controladora de administración de la placa base estándar con acceso serie.
- El panel posterior incluye un conector serie, uno de vídeo, cuatro USB y dos de NIC.
- En el panel frontal se incluyen un conector de vídeo y dos conectores USB.
- LCD de panel frontal 1x5 para la ID y los mensajes de error del sistema.
- Botón de ID del sistema en los paneles frontal y posterior.

Para obtener más información sobre componentes específicos, consulte “Especificaciones técnicas” en la página 73.

Sistemas operativos admitidos

- Microsoft® Windows Storage Server™ 2003 R2 Express Edition (x64)
- Microsoft Windows Storage Server 2003 R2 Workgroup Edition (x64)

Otra información útil

 **PRECAUCIÓN:** la *Guía de información del producto* contiene información importante sobre seguridad y normativas. La información sobre la garantía puede estar incluida en este documento o constar en un documento aparte.


- En los documentos *Instrucciones de instalación del rack* o *Guía de instalación del rack* incluidos con el rack se describe cómo instalar el sistema en un rack.
- En el *Manual del propietario del hardware* se proporciona información sobre los componentes del sistema y se describe cómo solucionar problemas del sistema e instalar o sustituir componentes. Puede obtener el *Manual del propietario del hardware* en los CD incluidos con el sistema o solicitarlo a su proveedor.

- Los CD que se facilitan con el sistema proporcionan documentación y herramientas para configurar y administrar el sistema.
- Es posible que se incluyan notas de la versión o archivos Léame para proporcionar actualizaciones de última hora relativas al sistema o a la documentación, o material de consulta técnica avanzada destinado a técnicos o usuarios experimentados.

Obtención de asistencia técnica

Si no comprende algún procedimiento descrito en esta guía o si el sistema no funciona del modo esperado, consulte el *Manual del propietario del hardware*.

Instalación y configuración

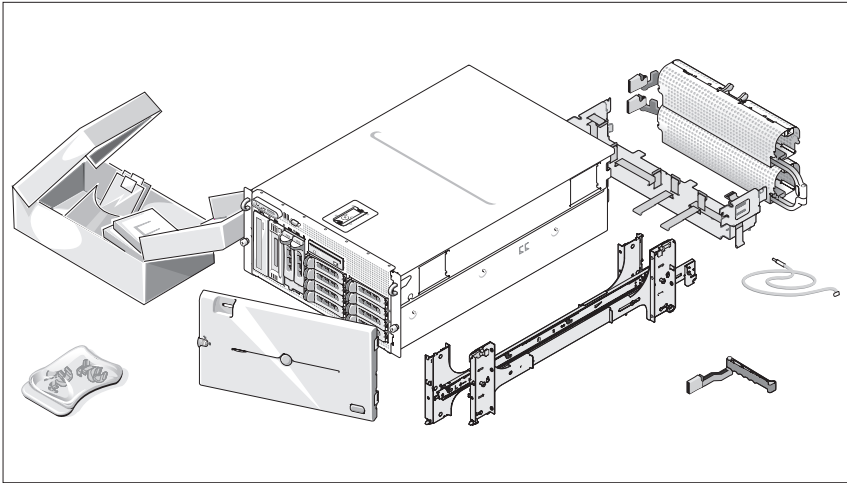
 **PRECAUCIÓN:** antes de realizar el procedimiento siguiente, lea y siga las instrucciones de seguridad y la información importante sobre normativas incluidas en la *Guía de información del producto*.

En esta sección se describen los pasos para configurar el sistema por primera vez. Las ilustraciones que se ven a continuación muestran un sistema de montaje en rack, pero el procedimiento de instalación se aplica en su mayoría a un sistema de torre independiente. Cuando se disponga a instalar el rack en el paso 2, consulte la documentación incluida con el sistema acerca de la instalación de los pies estabilizadores en el sistema.

 **PRECAUCIÓN:** es necesario instalar los pies estabilizadores en un sistema de torre independiente para proporcionar una base estable para el sistema. Si no se instalan los pies, el sistema puede volcarse, y ello puede producir lesiones personales o daños en el sistema.

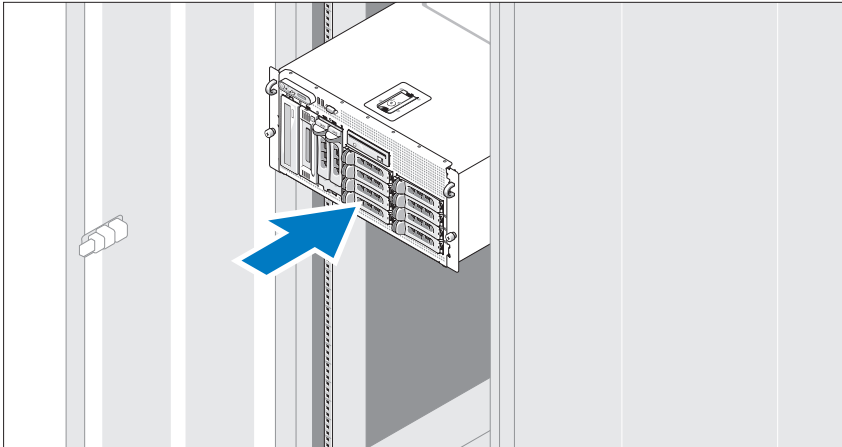
 **PRECAUCIÓN:** siempre que necesite levantar el sistema, pida la ayuda de otros. Con el fin de evitar lesiones personales, no intente mover el sistema usted solo.

Desembalaje del sistema



- 1 Desembale el sistema e identifique cada elemento.
Guarde el material de embalaje por si lo necesita más adelante.

Instalación de los rieles y del sistema en un rack

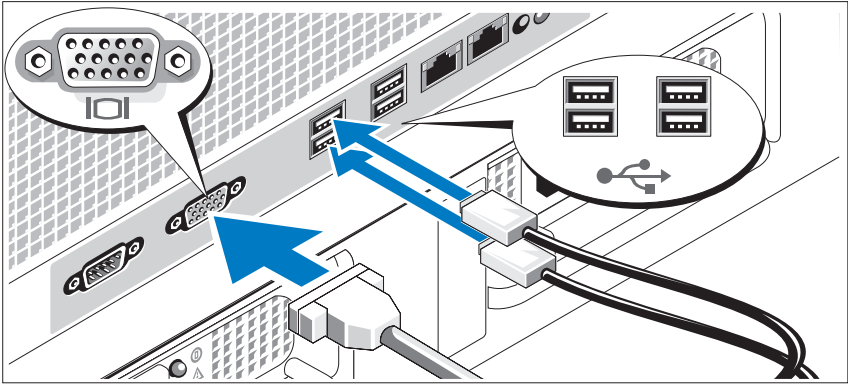


- 2 Después de leer las instrucciones de seguridad incluidas en la documentación del sistema relativa a la instalación del rack, instale los rieles y el sistema en el rack.

Consulte la documentación de instalación del rack para obtener instrucciones sobre la instalación del sistema en un rack.

Para un sistema de torre, consulte la documentación incluida con el sistema para la instalación de los pies estabilizadores.

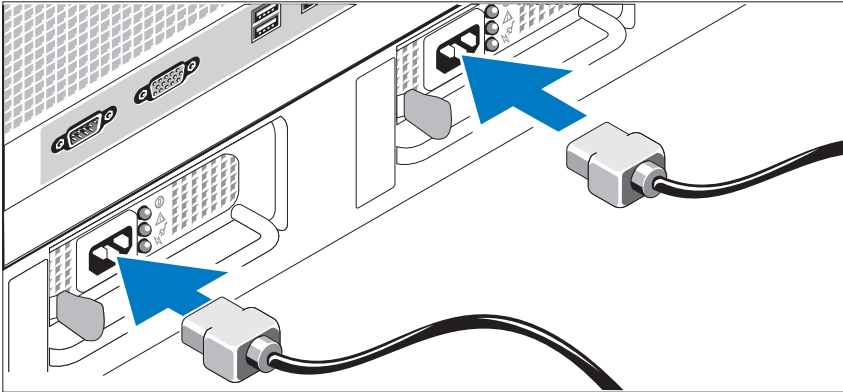
Conexión del teclado, el ratón y el monitor



- 3 Conecte el teclado, el ratón y el monitor (opcional).

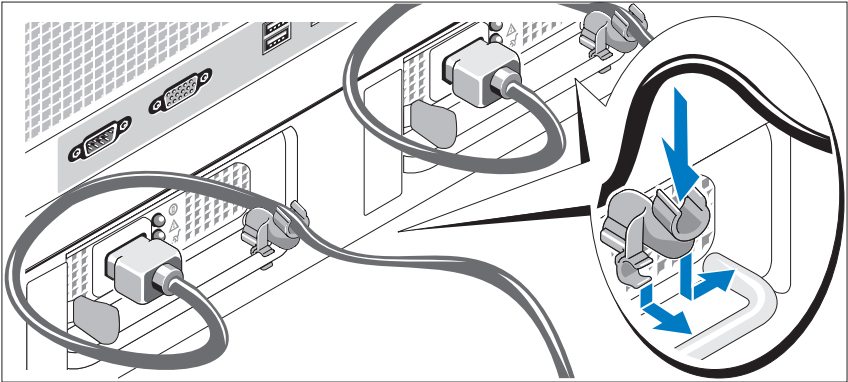
Los conectores de la parte posterior del sistema incluyen iconos que indican qué cable debe enchufarse en cada conector. Asegúrese de apretar los tornillos (si los hay) del conector del cable del monitor.

Conexión de la alimentación



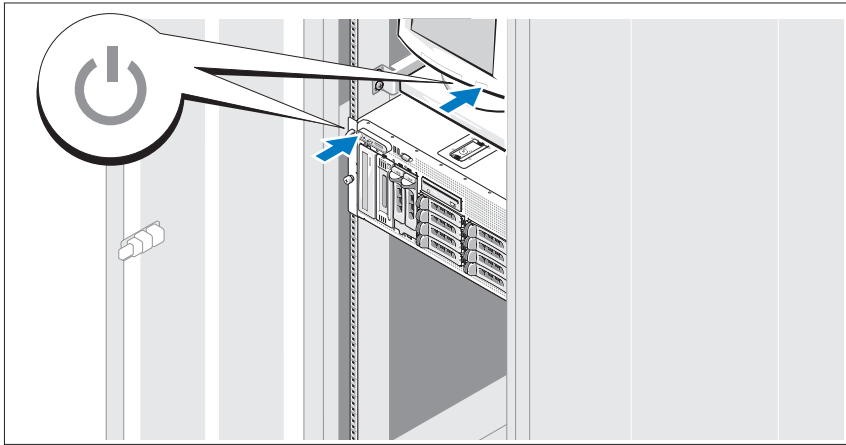
- 4 Conecte los cables de alimentación al sistema.
- 5 Conecte el otro extremo del cable a una toma eléctrica con conexión a tierra o a otra fuente de energía, como por ejemplo un sistema de alimentación ininterrumpida (SAI) o una unidad de distribución de alimentación (PDU).

Instalación del soporte de retención del cable de alimentación



- 6 Fije el soporte de retención del cable de alimentación en el codo derecho del asa de la fuente de alimentación. Doble el cable de alimentación del sistema en forma de bucle, tal como se muestra en la ilustración, y fíjelo a la abrazadera correspondiente del soporte. Repita el procedimiento para la segunda fuente de alimentación.

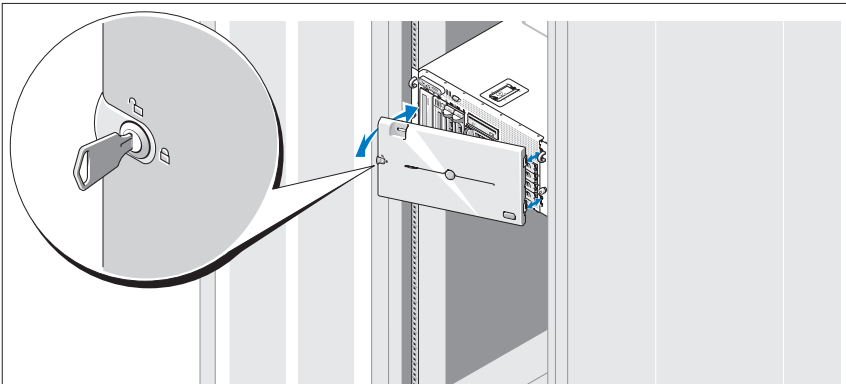
Encendido del sistema



- 7 Encienda el sistema y el monitor (opcional).

Presione el botón de encendido del sistema y del monitor. Los indicadores luminosos de alimentación deberían encenderse. Ajuste los controles del monitor hasta que la imagen mostrada sea satisfactoria.

Instalación del embellecedor



- 8 Instale el embellecedor (opcional).

Finalización de la instalación del sistema operativo

Si ha adquirido un sistema operativo preinstalado, consulte la documentación del sistema operativo que se suministra con el sistema. Para instalar un sistema operativo por primera vez, consulte la *Guía de instalación rápida*. Asegúrese de que el sistema operativo está instalado antes de instalar hardware o software no adquirido con el sistema.

Especificaciones técnicas

| Procesador | |
|--------------------|---|
| Tipo de procesador | Uno o dos procesadores Intel Xeon de doble núcleo 5000 Sequence |

| Bus de expansión | |
|-----------------------------|---|
| Tipo de bus | PCI, PCI-X, PCIe |
| Ranuras de expansión | |
| PCI-X | Dos ranuras para tarjetas de altura y longitud completas de 3,3 V y 64 bits a 133 MHz (ranuras 1 y 2) |
| PCIe | Una ranura x8 de 3,3 V (ranura 3) Tres ranuras x4 de 3,3 V (ranuras de la 4 a la 6) |

| Memoria | |
|----------------------------------|--|
| Arquitectura | Módulos DIMM con búfer completo (FBD) a 533 o 667 MHz (cuando estén disponibles) |
| Zócalos de módulo de memoria | Doce de 240 patas |
| Capacidades de módulo de memoria | 256 MB, 512 MB, 1 GB, 2 GB o 4 GB |
| RAM mínima | 512 MB (dos módulos de 256 MB) |
| RAM máxima | 48 GB |

Unidades

| | |
|------------------------|---|
| Unidades de disco duro | Hasta 10 unidades SAS o SATA internas de 3,5 pulgadas y de acoplamiento activo <ul style="list-style-type: none">• Ocho unidades en el compartimiento interno para unidades• Dos unidades en la tarjeta de expansión de plano posterior 1x2 Flexbay opcional |
| Unidad de disquete | Una unidad opcional de 3,5 pulgadas y 1,44 MB Unidad USB externa opcional de 3,5 pulgadas y 1,44 MB |
| Unidad óptica | Una unidad IDE opcional de CD, de DVD o combinada de CD-RW/DVD NOTA: los dispositivos de DVD son sólo de datos. Unidad de CD-ROM USB externa opcional Unidad de DVD-ROM USB externa opcional |
| Unidad flash | Unidad USB externa opcional |

Conectores

Parte posterior

| | |
|-------|---|
| NIC | Dos RJ-45 compatibles con TOE (para NIC de 1 GB integradas) |
| Serie | 9 patas, DTE, compatible con 16550 |
| USB | Cuatro de 4 patas compatibles con USB 2.0 |
| Vídeo | VGA de 15 patas |

Parte frontal

| | |
|-------|--|
| Vídeo | VGA de 15 patas |
| USB | Dos de 4 patas compatibles con USB 2.0 |

Vídeo

| | |
|------------------|--|
| Tipo de vídeo | Controladora de vídeo ATI ES1000; conectores VGA |
| Memoria de vídeo | 16 MB de SDRAM DDR |

Alimentación

Fuente de alimentación de CA (por fuente de alimentación)

| | |
|------------------------------|--|
| Potencia | 930 W |
| Voltaje | 90-264 V CA, autoajustable, 47-63 Hz |
| Disipación de calor | 2 697 BTU/h (789,8 W) como máximo |
| Corriente de conexión máxima | En condiciones normales de línea y en todo el ambiente del rango operativo del sistema, la corriente de la conexión puede alcanzar los 55 A por cada fuente de alimentación durante 10 ms o menos. |

Baterías

| | |
|-------------------------|--|
| Batería del sistema | Batería de tipo botón de litio-ion de 3,0 V CR2032 |
| Batería RAID (opcional) | Litio-ion de 4,1 V |

Características físicas

Rack

| | |
|-----------------------------|---|
| Altura | 21,77 cm |
| Anchura | 44,27 cm (sólo chasis) 48,27 cm (con las superficies de montaje del rack) |
| Profundidad | 66,13 cm (no incluye el panel de control ni el embellecedor; el panel de control supone 1,3 cm adicionales) |
| Peso (configuración máxima) | 45,36 kg |

Torre (sin embellecedor)

| | |
|-----------------------------|---|
| Altura | 47,89 cm (con pies y sin ruedas) |
| Anchura | 22,66 cm |
| Profundidad | 66,13 cm (no incluye el panel de control ni el embellecedor; el panel de control supone 1,3 cm adicionales) |
| Peso (configuración máxima) | 49,9 kg |

Especificaciones ambientales

NOTA: para obtener más información sobre medidas medioambientales relativas a configuraciones de sistema específicas, póngase en contacto con su proveedor de asistencia técnica.

Temperatura

| | |
|-------------------|----------------|
| En funcionamiento | De 10 a 35 °C |
| En almacenamiento | De -40 a 65 °C |

Humedad relativa

| | |
|-------------------|---|
| En funcionamiento | Del 20 al 80% (sin condensación) con una gradación de humedad máxima del 10% por hora |
| En almacenamiento | Del 5 al 95% (sin condensación) |

Vibración máxima

| | |
|-------------------|---|
| En funcionamiento | 0,26 G de 5 a 350 Hz durante 2 min en el eje Z |
| En almacenamiento | 1,54 G de 10 a 250 Hz durante 15 min en todas las orientaciones |

Impacto máximo

| | |
|-------------------|--|
| En funcionamiento | Un choque en el sentido positivo del eje z (un choque en cada lado del sistema) de 41 G durante un máximo de 2 ms |
| En almacenamiento | Seis choques ejecutados consecutivamente en el sentido positivo y negativo de los ejes x, y y z (un choque en cada lado del sistema) de 71 G durante un máximo de 2 ms |

Altitud

| | |
|-------------------|-------------------|
| En funcionamiento | De -16 a 3 048 m |
| En almacenamiento | De -16 a 10 600 m |

Índice

A

- administración remota de sistemas
 - tarjeta controladora de acceso remoto, 64
- asistencia técnica, 66

C

- canastilla para tarjetas de expansión, 64
- CD-RW/DVD combinada, 63
- componentes del sistema, 63
 - controladora de vídeo, 64
 - fuelle de alimentación, 64
 - memoria, 63
 - multiprocesador simétrico (SMP), 63
 - NIC, 64
 - procesadores, 63
 - tarjeta controladora de acceso remoto, 64
 - unidad de CD, 63
 - unidad de disquete, 63
 - unidad de DVD, 63
 - USB, 64

- controladora de acceso remoto
 - administración remota de sistemas, 64
- controladora de vídeo, 64
- controladora RAID integrada, 64

E

- especificaciones técnicas, 73

I

- instalación y configuración, 66

M

- memoria, 63
 - intercalado, 63
- multiprocesador simétrico (SMP), 63

N

- NIC, 64

P

procesadores, 63

S

sistemas operativos
admitidos, 65

T

tarjeta controladora de acceso
remoto, 64